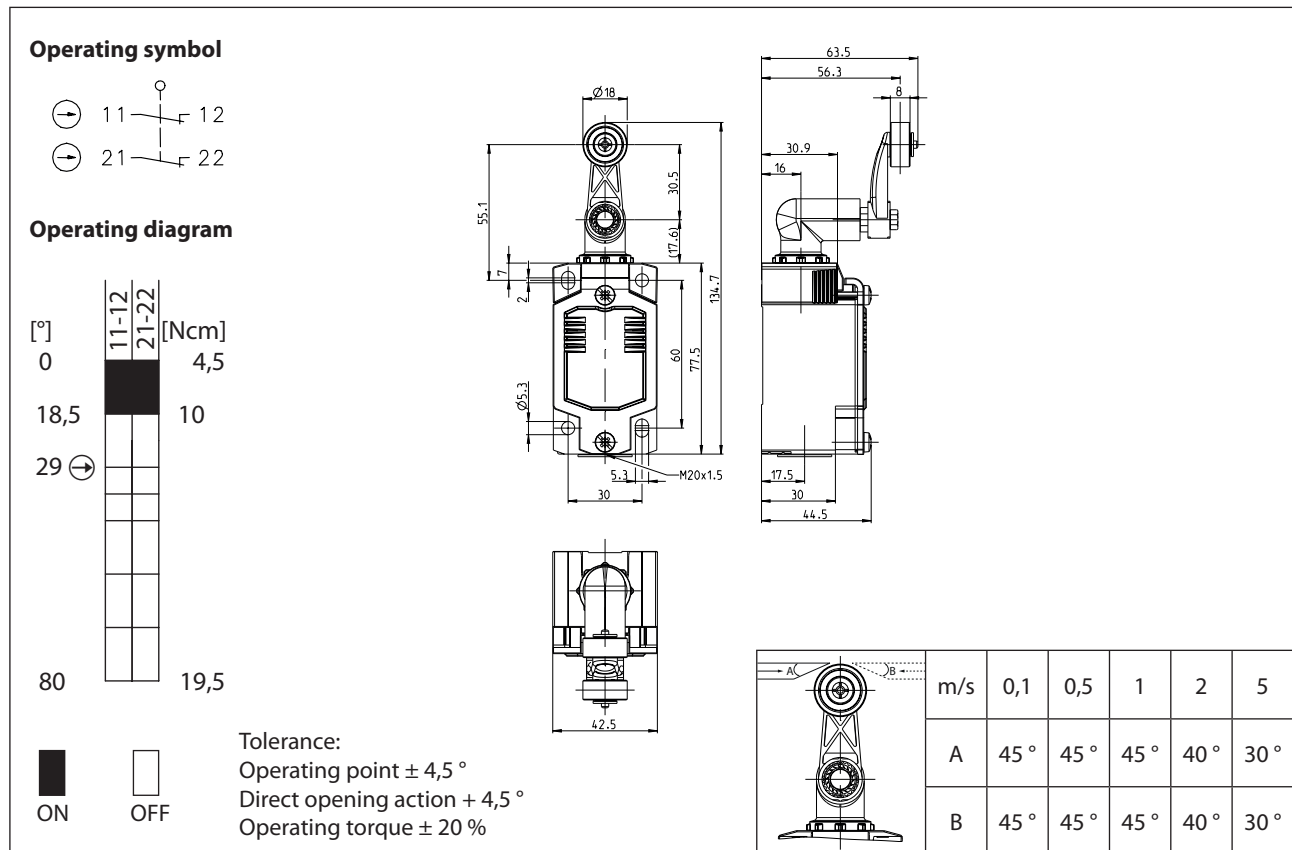


## Metal bodied limit switch Series MN78

Description **MN78-20 AHK**

Article number **6087000064**



### Electrical Data

Rated insulation voltage	$U_i$	400 V
Rated impulse withstand voltage	$U_{imp}$	4 kV
Rated operational voltage	$U_e$	240 V AC / 24 V DC
Rated supply frequency AC		50 / 60 Hz
Overvoltage category		II acc. EN 60947-1 annex H table H1
Conv. thermal current	$I_{the}$	5 A
Minimum current		1 mA
Utilization category		AC 15, $U_e/I_e$ 240 V / 3 A; DC 13, $U_e/I_e$ 24 V / 1,5 A
Direct opening action	$\ominus$	acc. IEC/EN 60947-5-1, annex K; direct opening torque: 22 Ncm
Short-circuit protective device		Fuse 4 A gG
Rated conditional short-circuit current		400 A
Protection class		I

<b>Mechanical data</b>	
Enclosure	Die-cast aluminium
Cover	Sheet aluminium
Actuator	Metal lever with plastic roller / lever in 15 ° increments adjustable
Operating temperature	-30 °C ... +75 °C
Storage temperature	-40 °C ... +80 °C
Protection type	IP66 / IP67 acc. EN 60529, Type 4X
Pollution degree (built-in switch)	3
Contact material	silver
Device Class (built-in switch)	Category E (MC3+CC2+SC1) acc. EN 60947-1 annex Q
Contact type	2 N.C. (Form Zb)
Bounce duration	The value depends on the operating rate
Switchover time	The value depends on the operating rate
Switching frequency	≤ 60 / min.
Mechanical life	30 x 10 <sup>6</sup> operating cycles
Mission time	≤20 years
Connection	4 screw connections (M3)
Earth bolt	1 x M3,5
Conductor cross-sections	Solid or Litz wire with ferrules 0,34 mm <sup>2</sup> - 1,5 mm <sup>2</sup> ; AWG 22-16
Cable entrance	1 x M20 x1,5
Weight	≈ 0,25 kg
Installation position	operator definable

<b>Actuation</b>
The actuating device is preferably started from 2 sides. The actuation assembly can be rotated in 45° increments such that 16 actuation directions are possible.

<b>ID for safety engineering</b>
B10d N.C. 20 x 10 <sup>6</sup> cycles

<b>Standards</b>
DIN EN 60947-5-1
UL 508 / CSA C22.2 No.14
DIN EN ISO 13849-1
DIN EN ISO 13849-2

<b>EU Conformity</b>
acc. to directive 2014/35/EU (Low-Voltage-Directive)

<b>Approvals</b>
CCC
cUL <sub>US</sub>

<b>Notes</b>
The degree of protection (IP code) specified applies solely to a property closed cover and the use of an equivalent cable gland with adequate cable.